

CURVE 90° A SILDARE ALIMENTARI (DIN 11852)
DAIRY ELBOWS 90° (DIN 11852)

CODOS SOLDAR GAMA ALIMENTARIA 90° (DIN 11852)

COUDES A SOUDER ALIMENTAIRE 90° (DIN 11852)

ROHRBOGEN FÜR DIE LEBENSMITTELINDUSTRIE 90° (DIN 11852)

Отводы под сварку пищевые DIN 11852

∅ Diametro	Raggio	Spessore	Spessore	Spessore	Lotti minimi Packing
∅ Diam.	Radius	Wall Thickness	Wall Thickness	Wall Thickness	
mm	mm	1,2 mm	1,5 mm	2,0 mm	
18,0	35,0		•		25
19,0	35,0		•		25
22,0	40,0		•		20
23,0	40,0		•		20
28,0	50,0		•		16
29,0	50,0		•		16
34,0	55,0		•		12
35,0	55,0		•		13
40,0	60,0		•		12
41,0	60,0		•		10
52,0	70,0		•		9
53,0	70,0		•		9
70,0	80,0			•	7
85,0	90,0			•	5
104,0	100,0			•	4
129,0	188,0			•	3
154,0	225,0			•	3
204,0	300,0			•	2

 A richiesta: spianatura per saldatura orbitale.
 Cod. Alim S90

 On request: flattening for
 orbital welding
 Cod. Alim S90

 A petición: refrentado de caras para facilitar la soldadura.
 Cod. Alim S90

 Sur demande: polissage pour soudure orbitale.-
 Cod. Alim S90

 Nach wunsch: Enden für orbital schweissung
 bearbeitet.Cod. Alim S90

 зачистка заусенцев для
 орбитальной сварки
 Cod. Alim S90

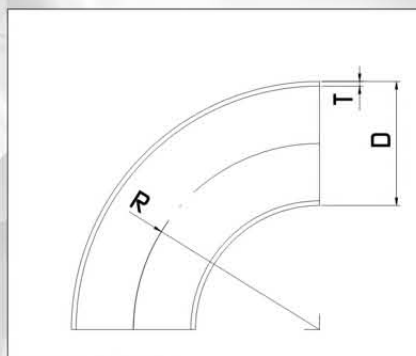
CURVE 90° A SILDARE ALIMENTARI (DIN 11852)
DAIRY ELBOWS 90° (DIN 11852)

CODOS SOLDAR GAMA ALIMENTARIA 90° (DIN 11852)

COUDES A SOUDER ALIMENTAIRE 90° (DIN 11852)

ROHRBOGEN FÜR DIE LEBENSMITTELINDUSTRIE 90° (DIN 11852)

Отводы под сварку пищевые DIN 11852


 Le curve sono prodotte in acciaio inox 1.4307/304L, 1.4404/316L,
 1.4571/316Ti e 1.4541/321.

 Altri tipi di acciai e dimensioni su richiesta. Curve a 45° a richiesta.
 Per serie 2 prodotte da tubo ricotto a richiesta.

 Elbows are produced in grade 1.4307/304L, 1.4404/316L, 1.4571/316Ti and
 1.4541/321.

 Other grades of stainless steel and dimensions only on request.
 Elbows 45° only on request.

For Series 2, elbows are produced from annealed tube on request.

CURVE 90° A SALDARE SMS

DAIRY ELBOWS 90° SMS

CODOS SOLDAR GAMA ALIMENTARIA 90° SMS

COUDES A SOUDER ALIMENTAIRE 90° SMS

ROHRBOGEN FÜR DIE LEBENSMITTELINDUSTRIE 90° SMS

Отводы под сварку 90° (SMS)

Ø Diametro	Raggio	Spessore	Spessore	Spessore	Spessore	Lotti minimi Packing
Ø Diam.	Radius	Wall Thickness	Wall Thickness	Wall Thickness	Wall Thickness	
mm	mm	1,2/1,25 mm	1,5 mm	1,6 mm	2,0 mm	
25,0	38,0	•	•	•		18
25,4	38,0	•	•	•		18
38,1	57,0	•	•	•		12
50,8	75,0	•	•	•		9
51,0	75,0	•	•	•		9
63,5	94,5		•	•		7
76,1	96,0			•		6
76,1	114,1		•	•		6
101,6	133,0				•	4
104,0	150,0				•	4

A richiesta: spianatura per saldatura orbitale.
Cod. Mand S90

On request: flattening for
orbital welding
Cod. Mand S90

A petición: refrentado de caras para facilitar la soldadura.
Cod. Mand S90

Sur demande: polissage pour soudure orbitale.
Cod. Mand S90

Nach wunsch: Enden für orbital schweissung
bearbeitet.
Cod. Mand S90
зачистка заусенцев для
орбитальной сварки
Cod. Mand S90

CURVE 90° A SALDARE SMS

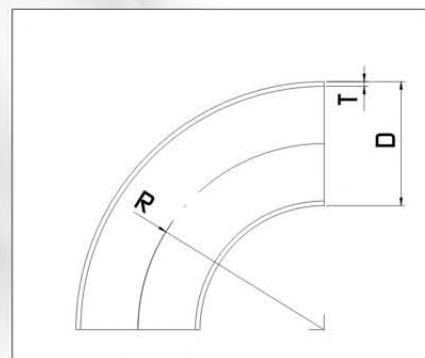
DAIRY ELBOWS 90° SMS

CODOS SOLDAR GAMA ALIMENTARIA 90° SMS

COUDES A SOUDER ALIMENTAIRE 90° SMS

ROHRBOGEN FÜR DIE LEBENSMITTELINDUSTRIE 90° SMS

Отводы под сварку 90° (SMS)



Le curve sono prodotte in acciaio inox 1.4307/304L, 1.4404/316L, 1.4571/316Ti e 1.4541/321.

Altri tipi di acciai e dimensioni su richiesta.

Elbows are produced in grade 1.4307/304L, 1.4404/316L, 1.4571/316Ti and 1.4541/321.

Other grades of stainless steel and dimensions only on request.